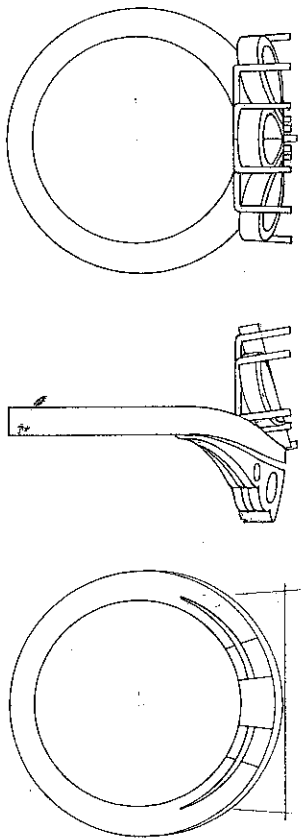
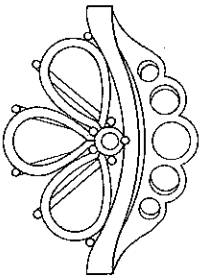
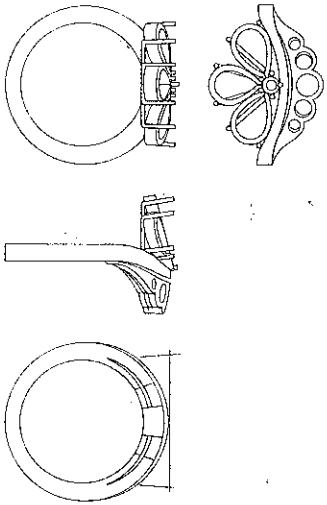


ACTUAL SIZE
Outside diameter of ring shank = 20mm



World Skills UK 20010/11 Fine Jewellery Making

DESIGN FOR A RING to be made in Silver

