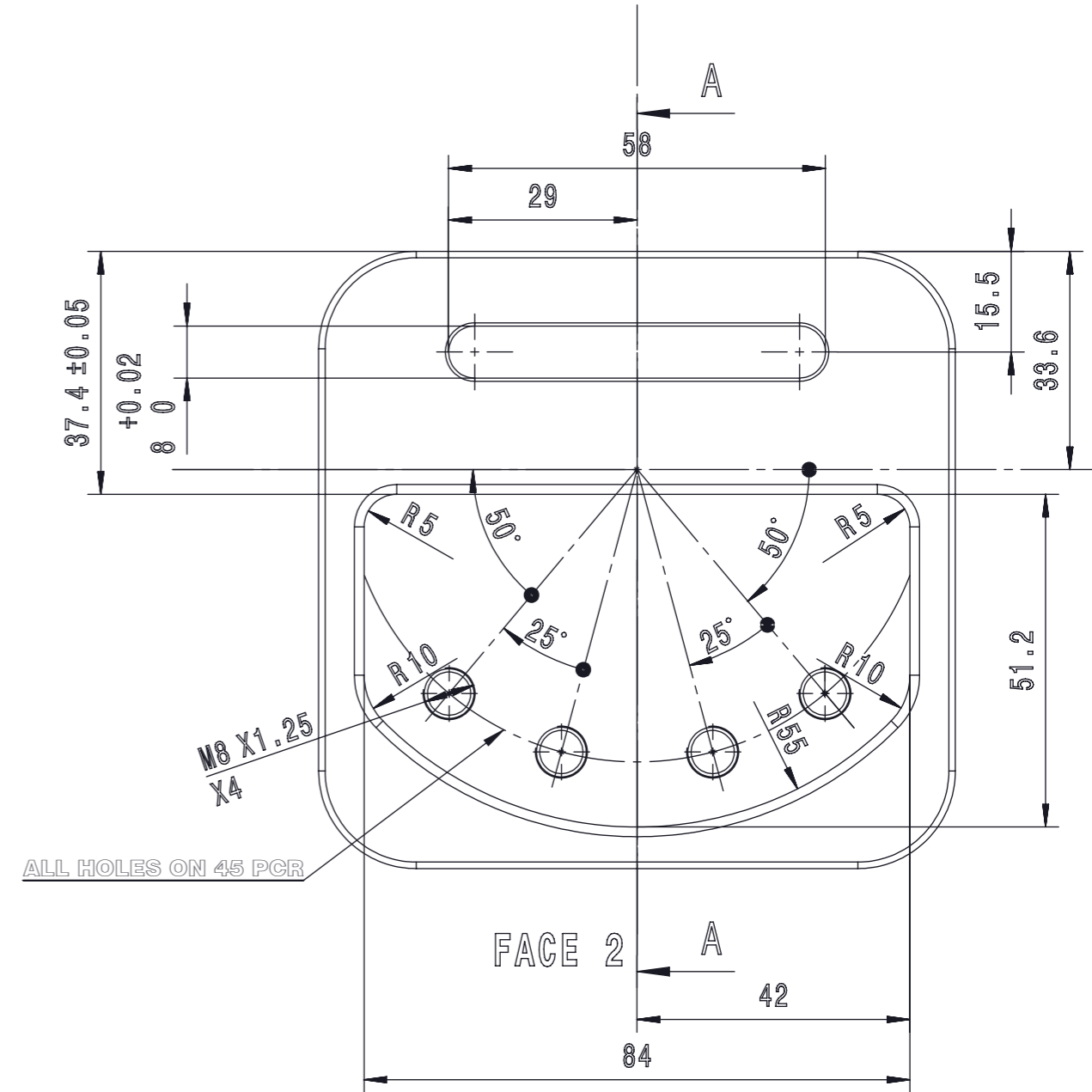


Section view A-A

10 THREAD DEPTH
X6
15
6 HOLES



GENRAL TOLERANCE ± 0.1
SURFACE FINISH $Ra1.6$
REMOVE ALL SHARP EDGES
THREAD TOL 6g

CNC MILLING PASSIVE HEAT 2011

SKILL:	CNC MILLING	
DRAWN:	ARM	DATE: 23/09/10
MATERIAL:	ALUMINIUM-STOCK SIZE 100X100X50	

