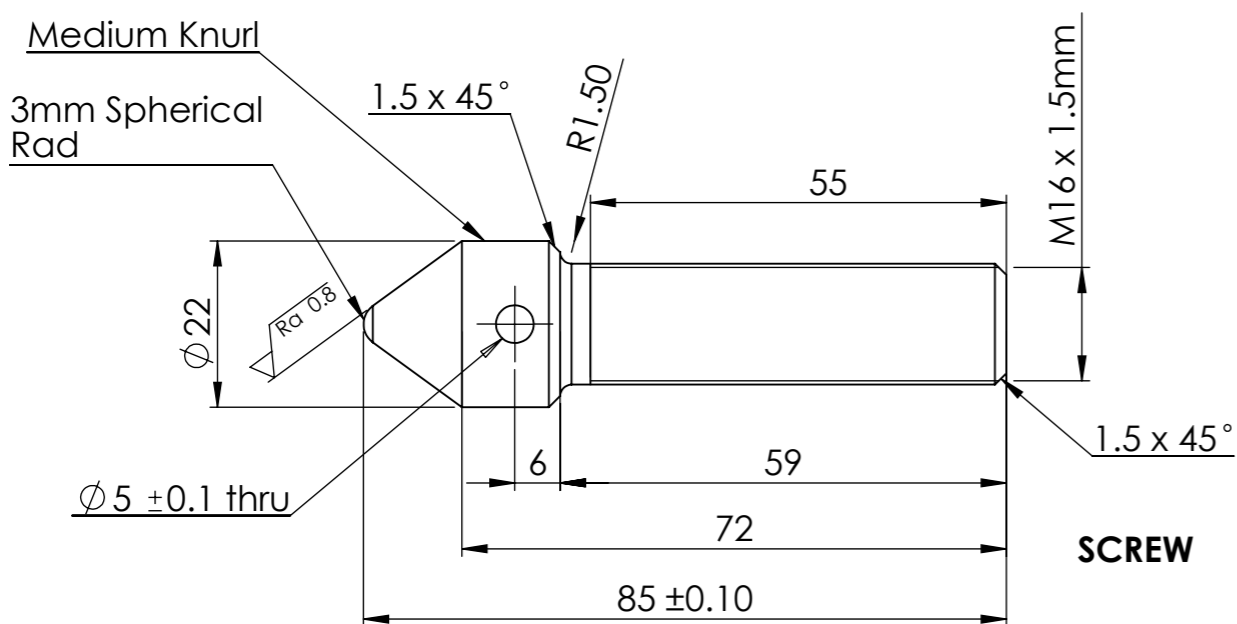
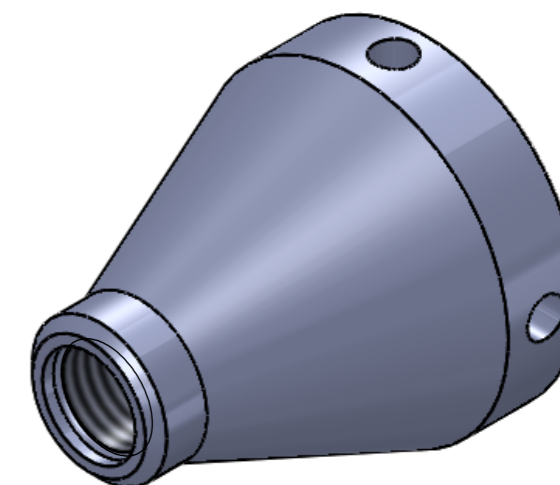
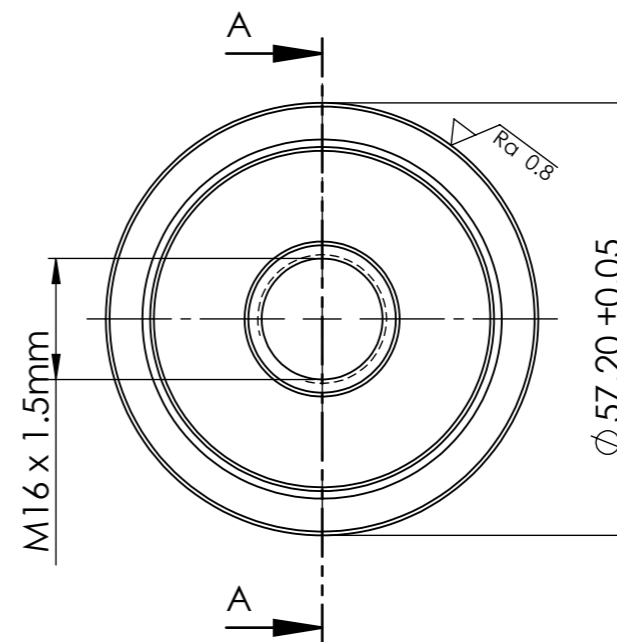
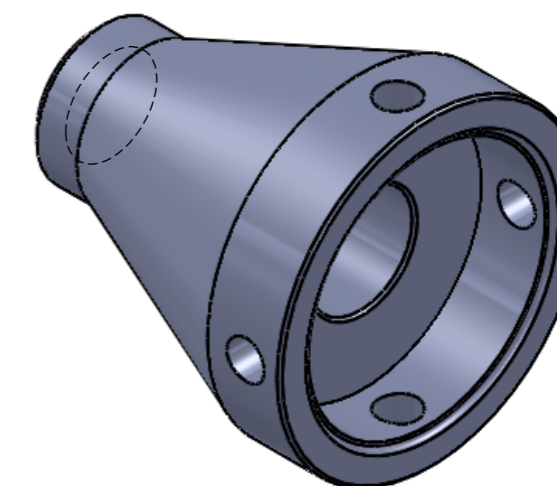
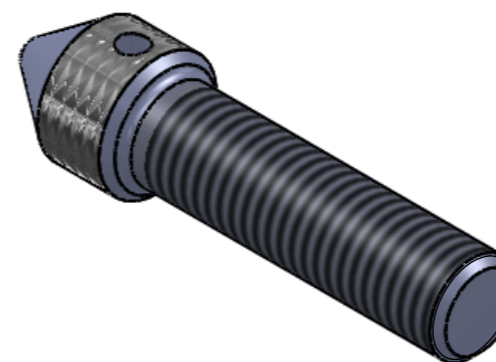


SECTION A-A



SCREW



Deburr all edges
All untolerenced dimensions $\pm 0.25\text{mm}$



DEBUR AND BREAK SHARP EDGES	
NAME	DATE
DRAWN Ian Thompson	
UNLESS OTHERWISE SPECIFIED: DIMENSIONS ARE IN MILLIMETERS TOLERANCES: LINEAR: $\pm 0.25\text{mm}$ ANGULAR: $\pm 0.5^\circ$	
MATERIAL: Aluminium	

TITLE: Worldskills UK CNC Turning Passive Heat 2012		
DWG NO. WSCUKPH - 2012	FINISH: As Machined	A3
SCALE: 1:1	DO NOT SCALE DRAWING	SHEET 1 OF 1