

1 2 3 4 5 6 7 8 9 10

A

A

B

B

C

C

D

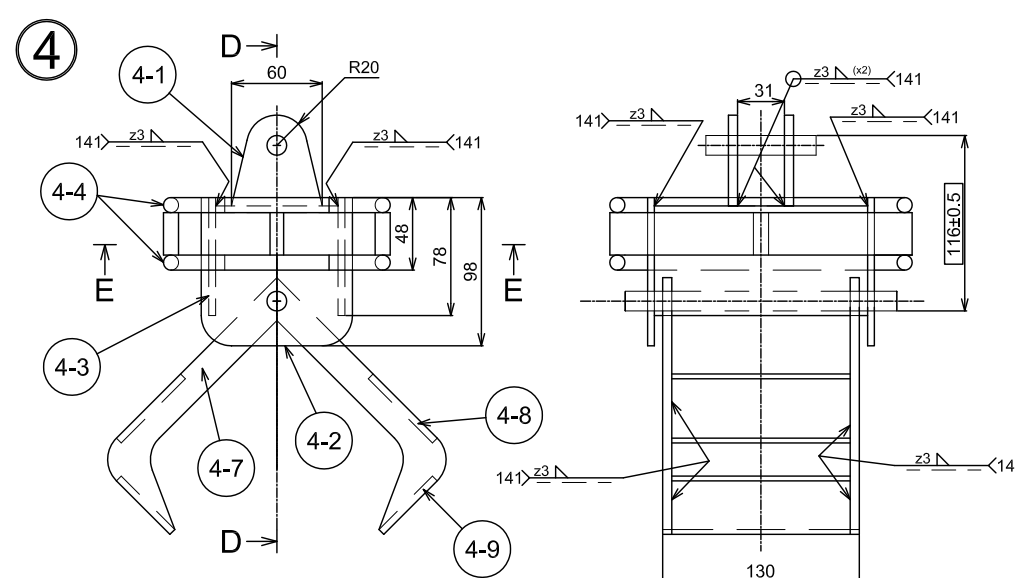
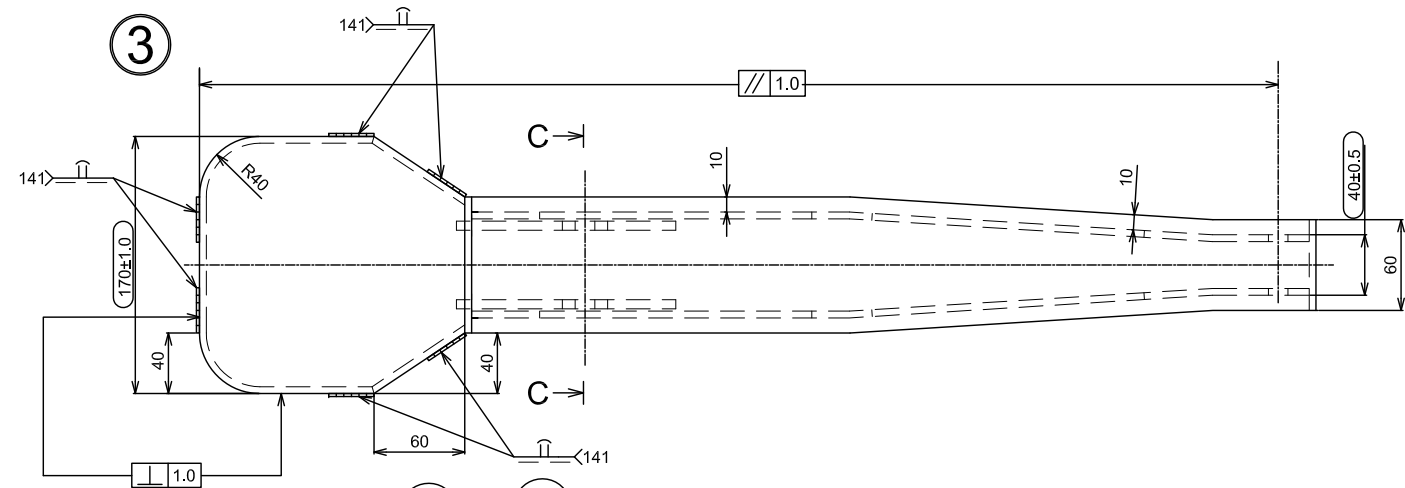
D

E

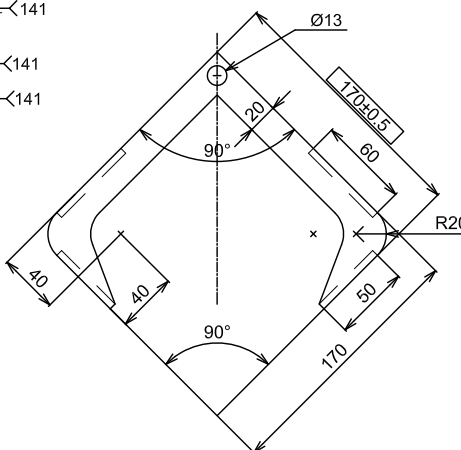
E

F

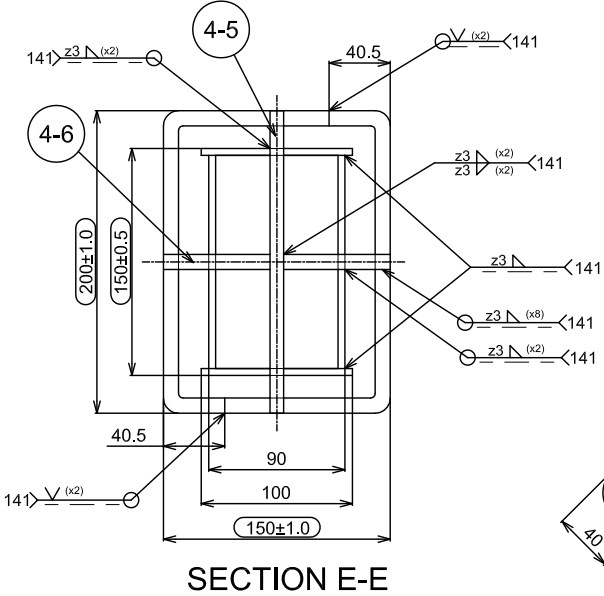
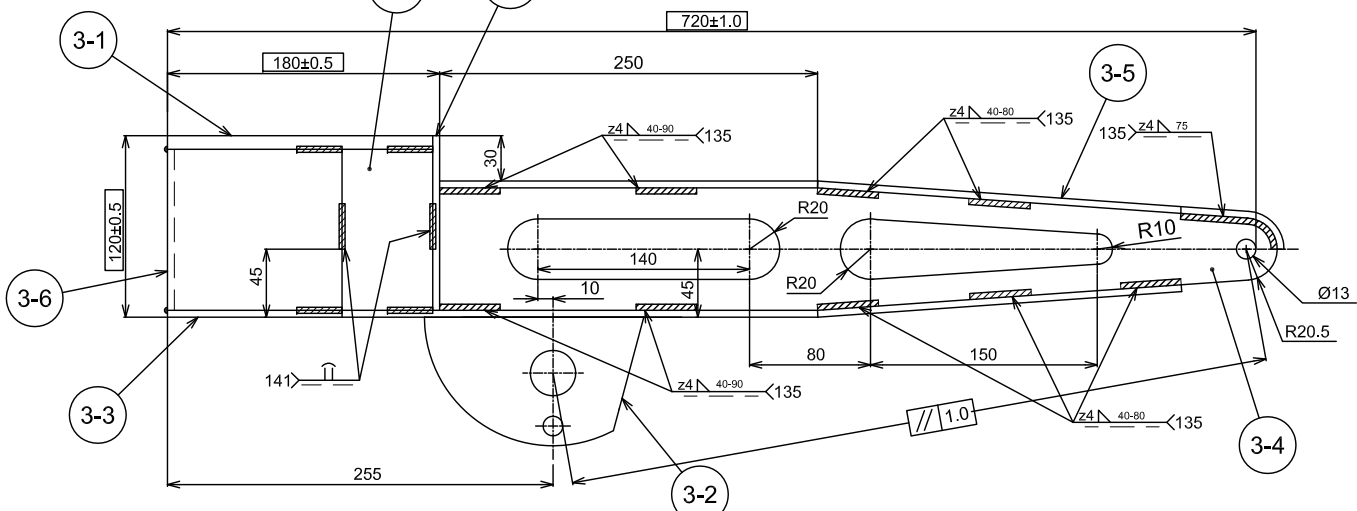
F



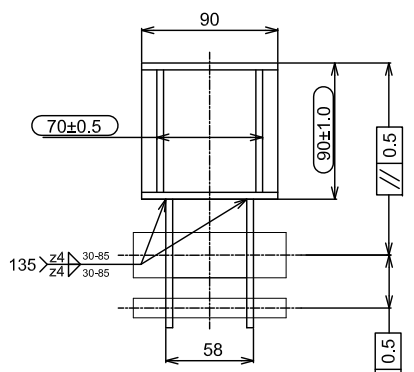
SECTION D-D



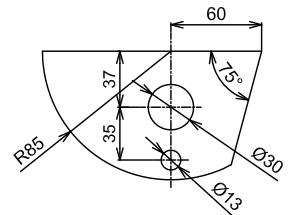
DETAILS OF No.4-7,4-8,4-9



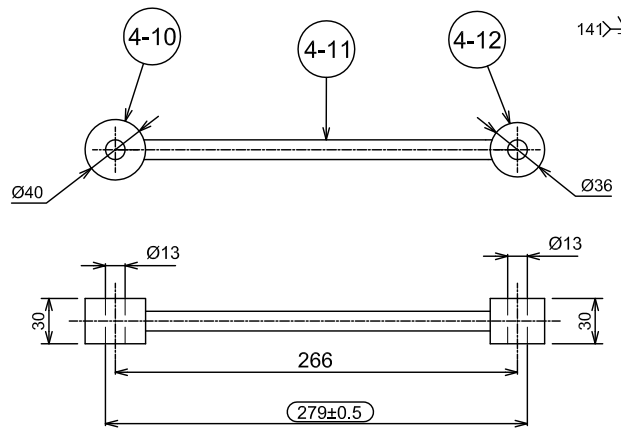
SECTION E-E



SECTION C-C



DETAILS OF No.3-2



TECHNICAL PERFECTION TOLERANCE

- PRIMARY DIMENSIONS
- SECONDARY DIMENSIONS
- GENERAL TOLERANCE + / - 1mm

---<135=GMAW ---<141=GTAW

Test Project for the 40 th WorldSkills Competition in Calgary, Canada 2009				
Skill: HM2	Scale: 1:50 Date: 27.04.2009 Paper: A3		OR	
Drawn / Design by:			Drawing No: TPD2_40CA_EN_3.DWG	
Description: HAMMER CRENE			Rev: 1.0	Page: 3 of 4

1 2 3 4 5 6 7 8 9 10