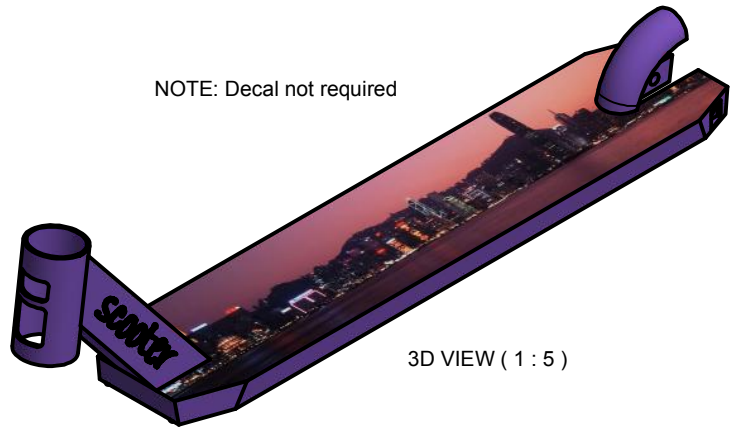
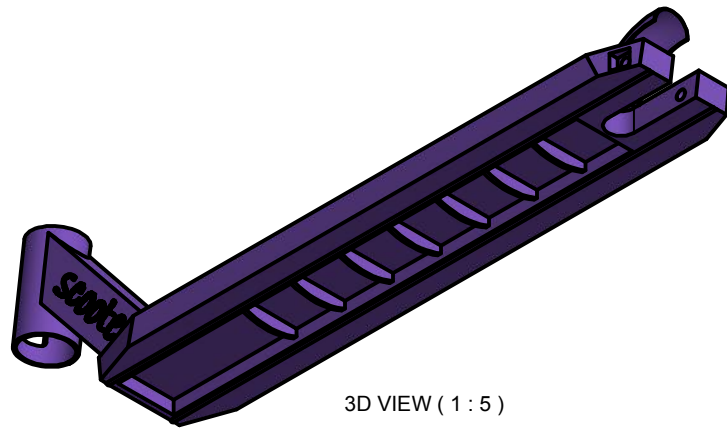


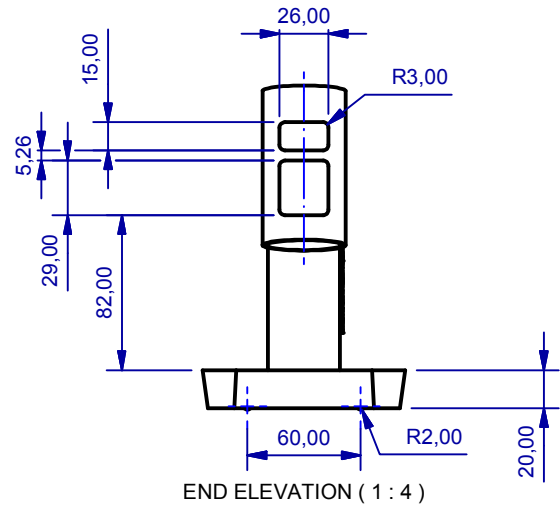
NOTE: Decal not required



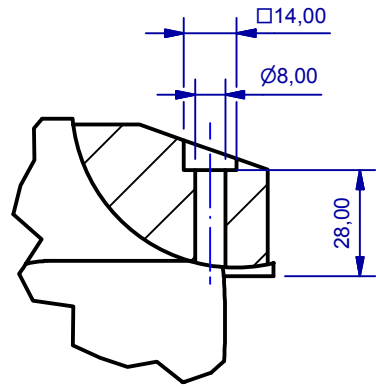
3D VIEW (1 : 5)



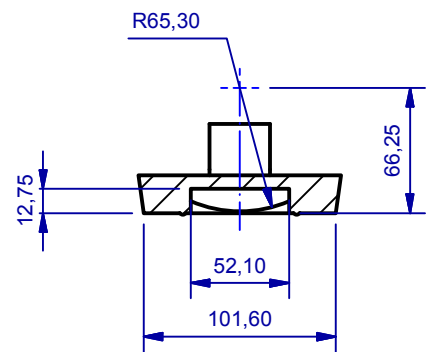
3D VIEW (1 : 5)



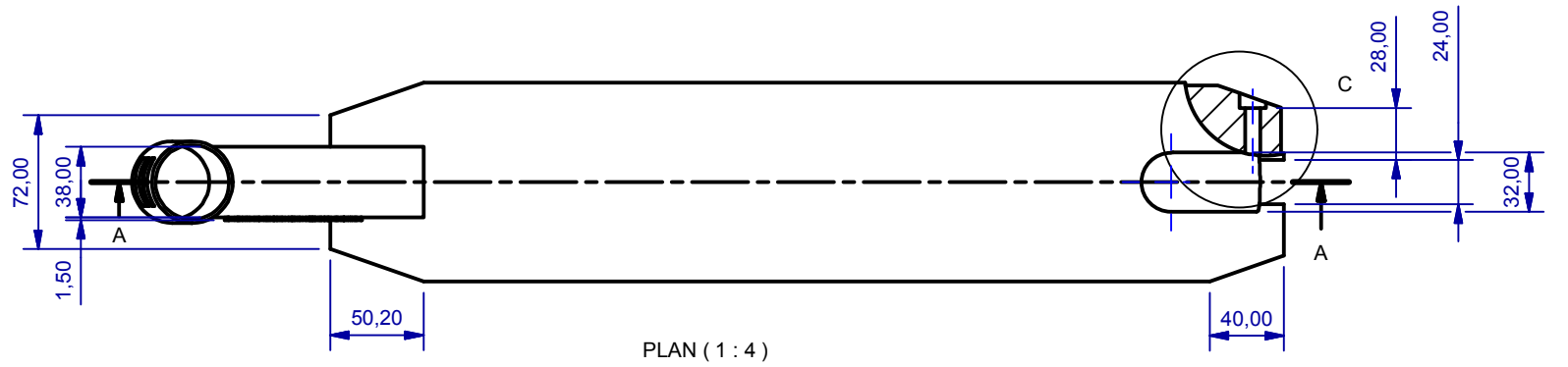
END ELEVATION (1 : 4)



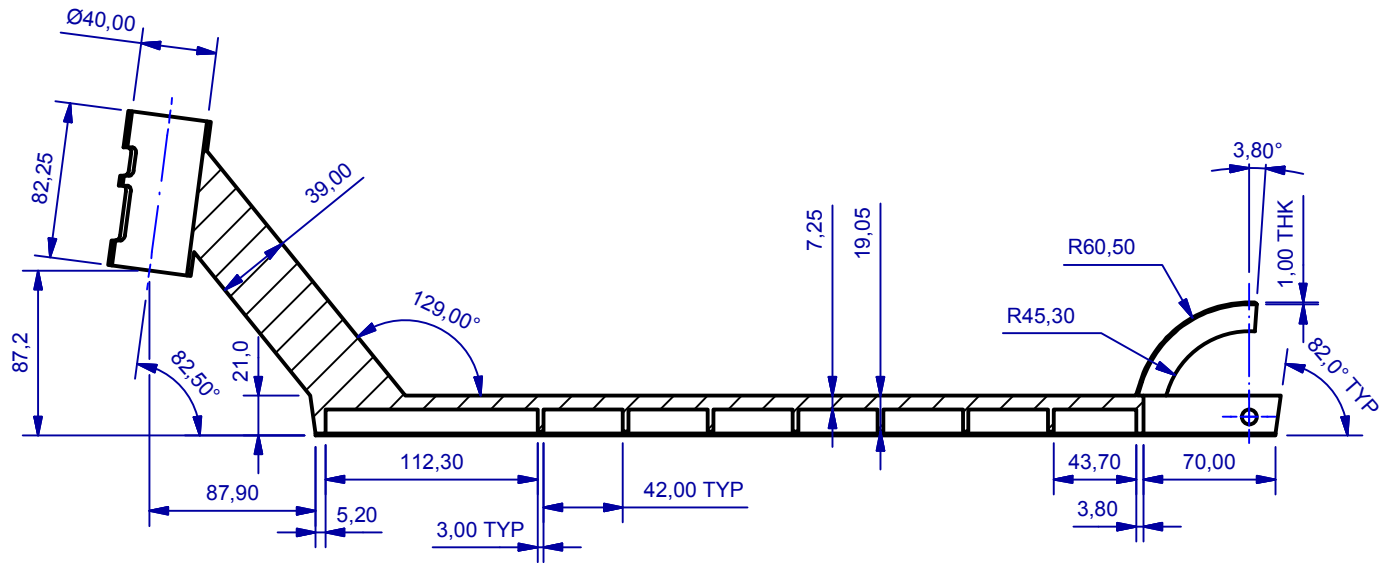
DETAIL C (1 : 2)



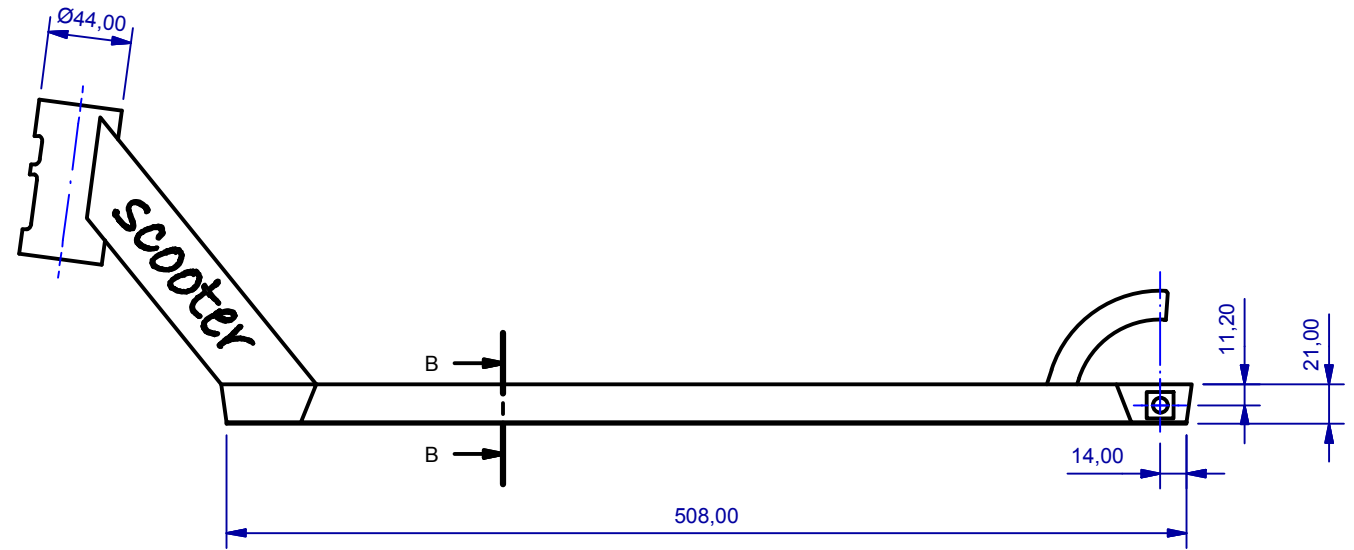
B-B (1 : 4)



PLAN (1 : 4)



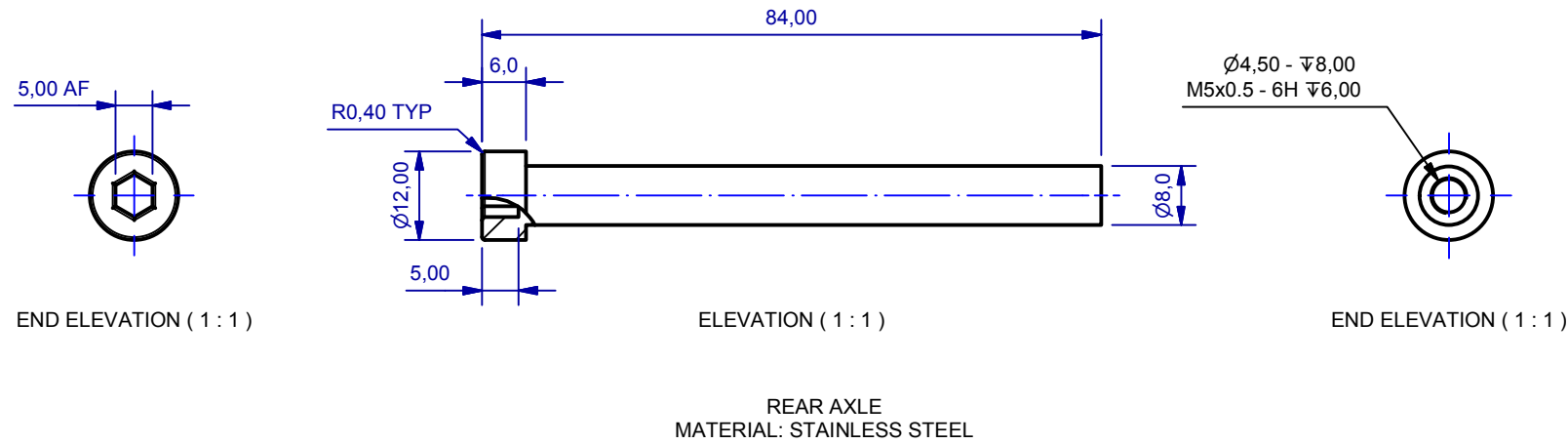
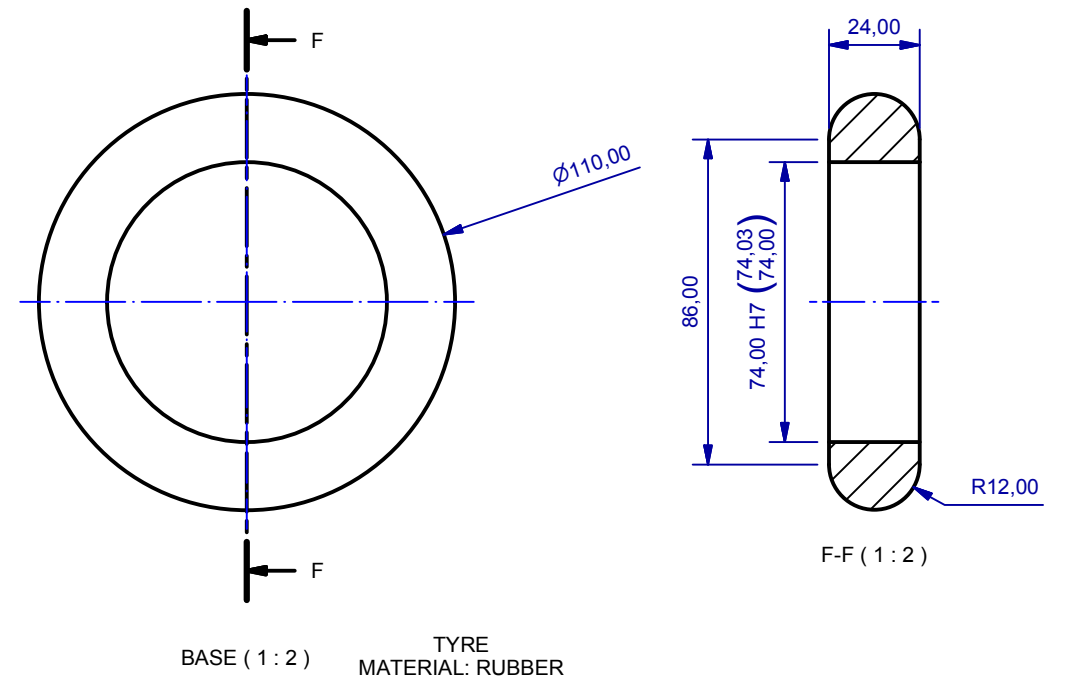
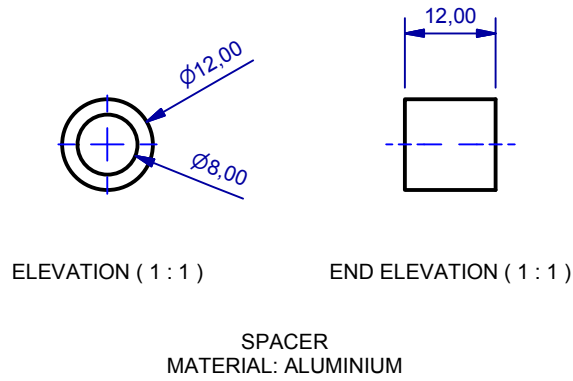
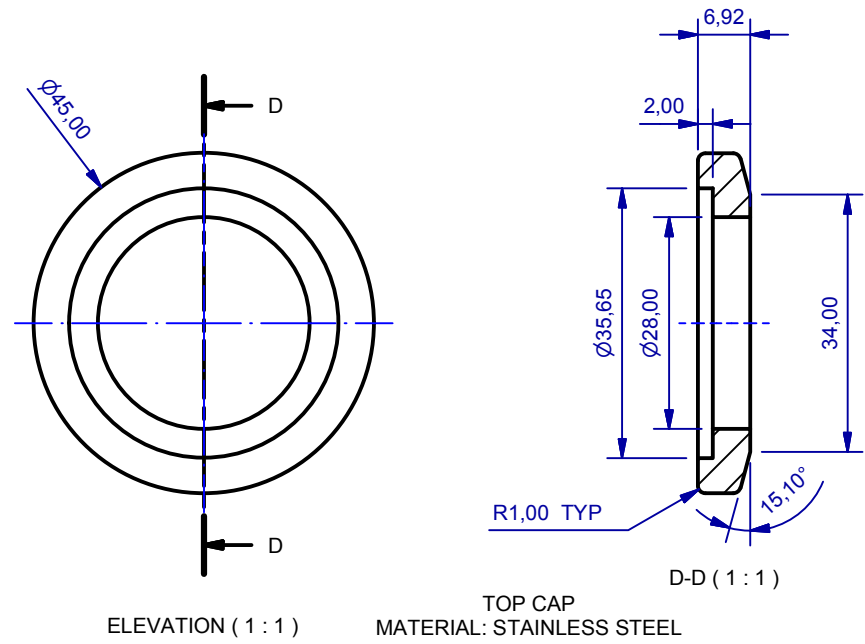
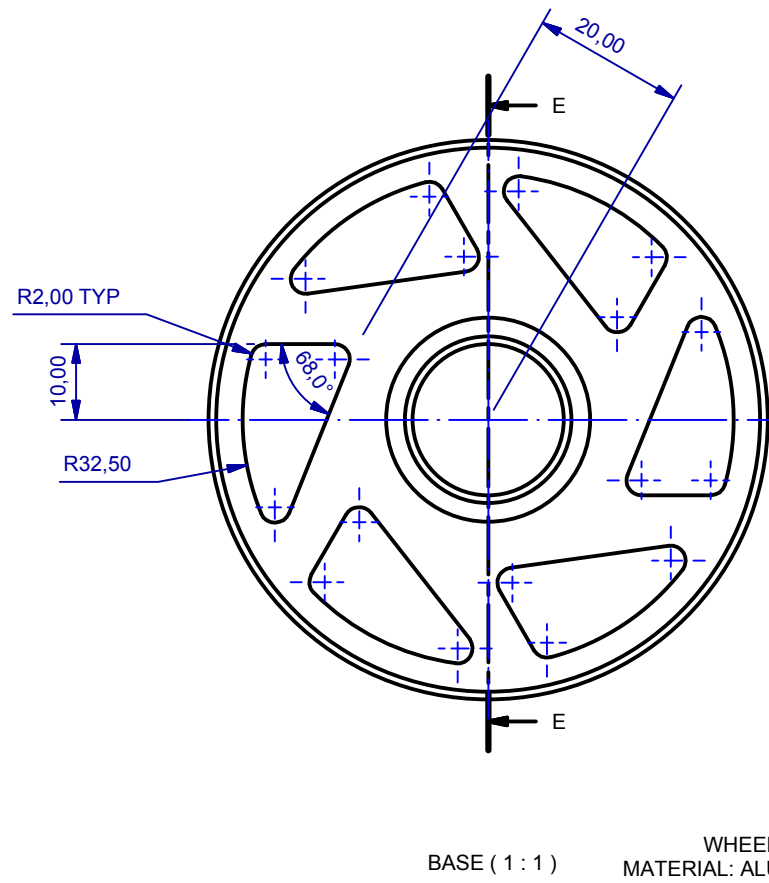
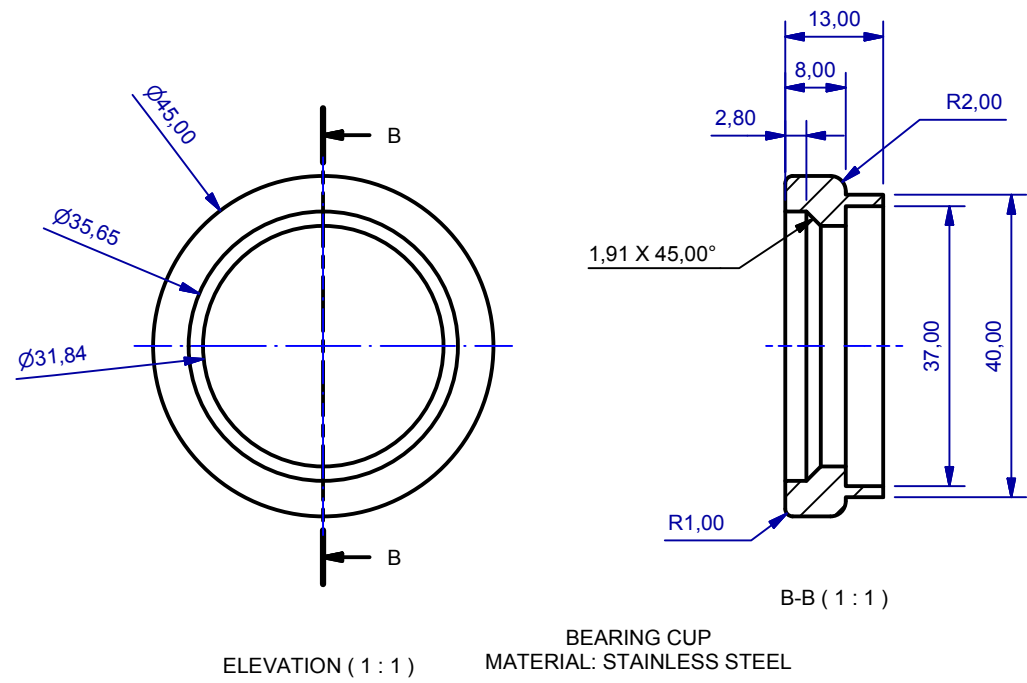
A-A (1 : 4)



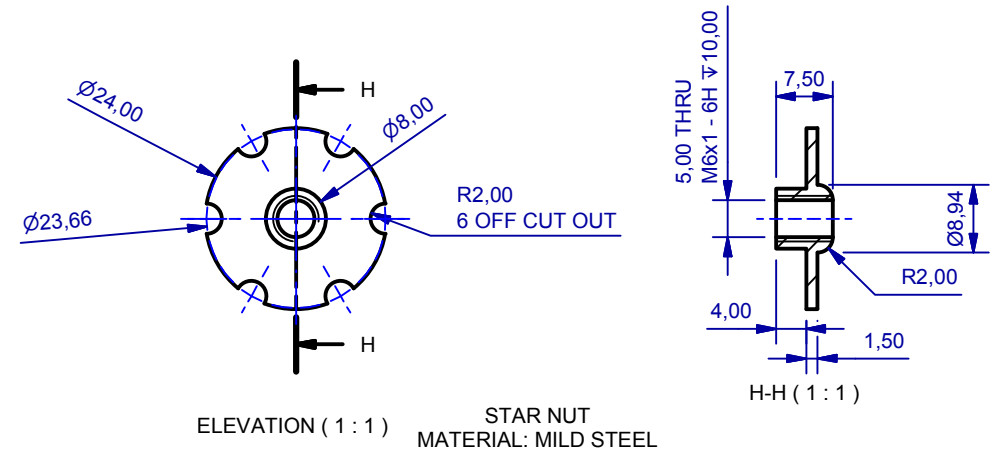
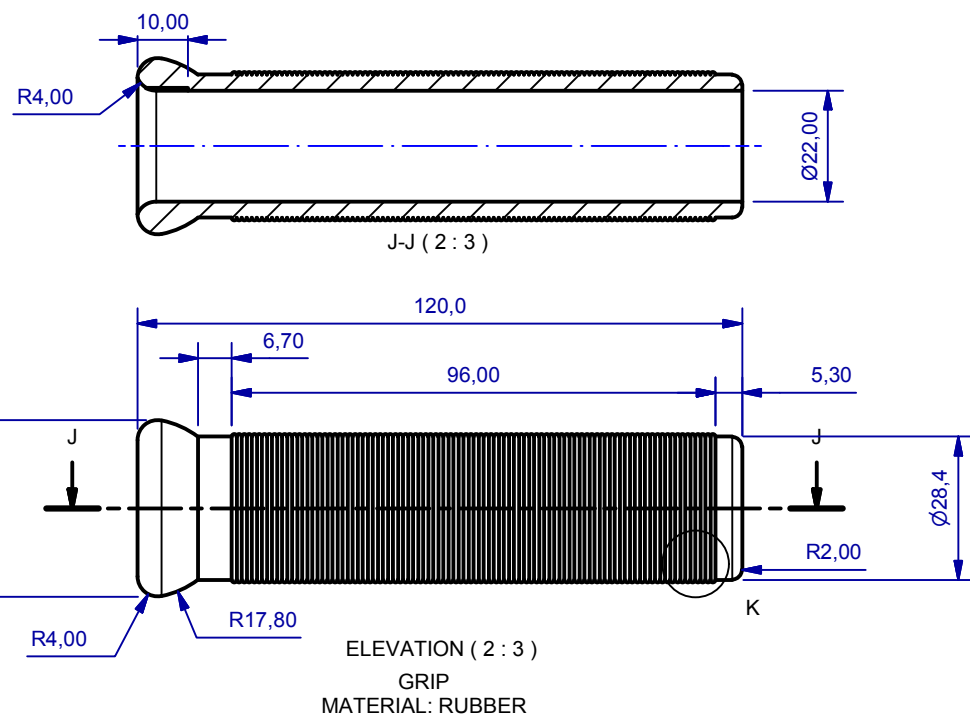
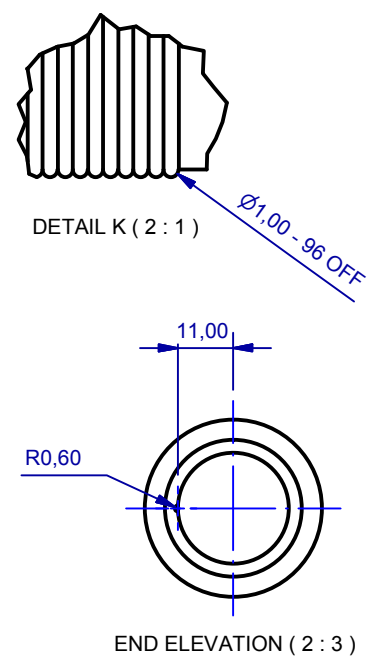
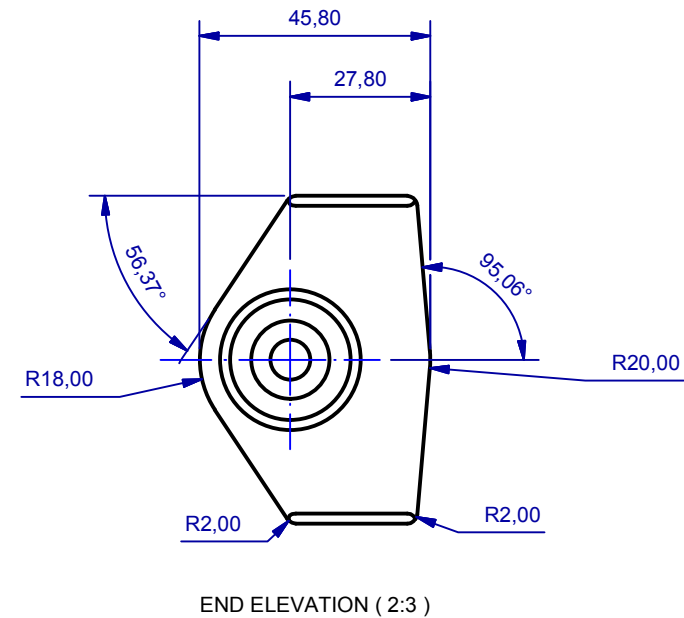
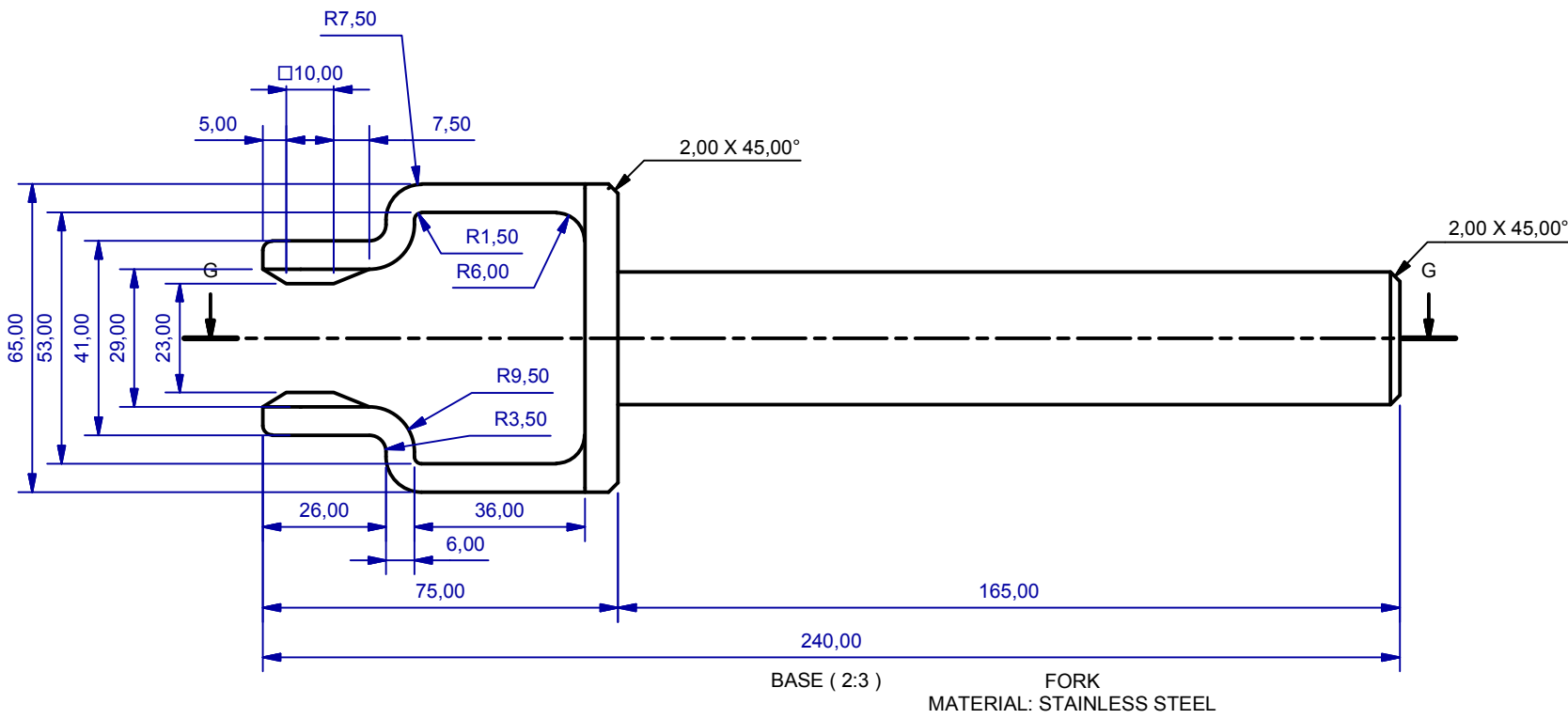
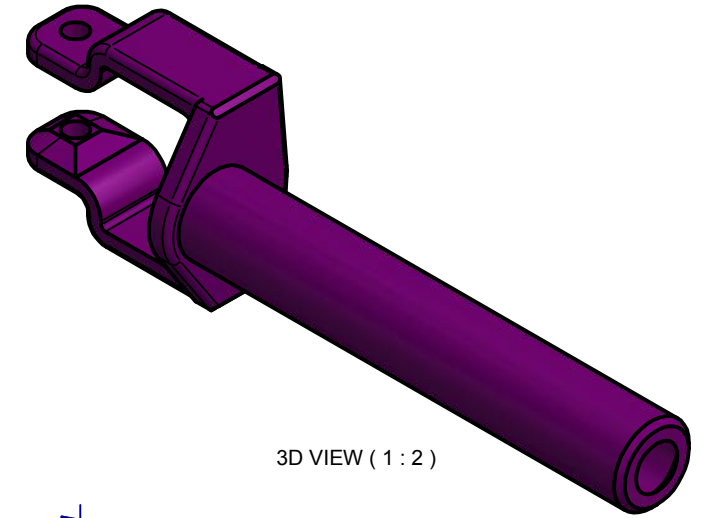
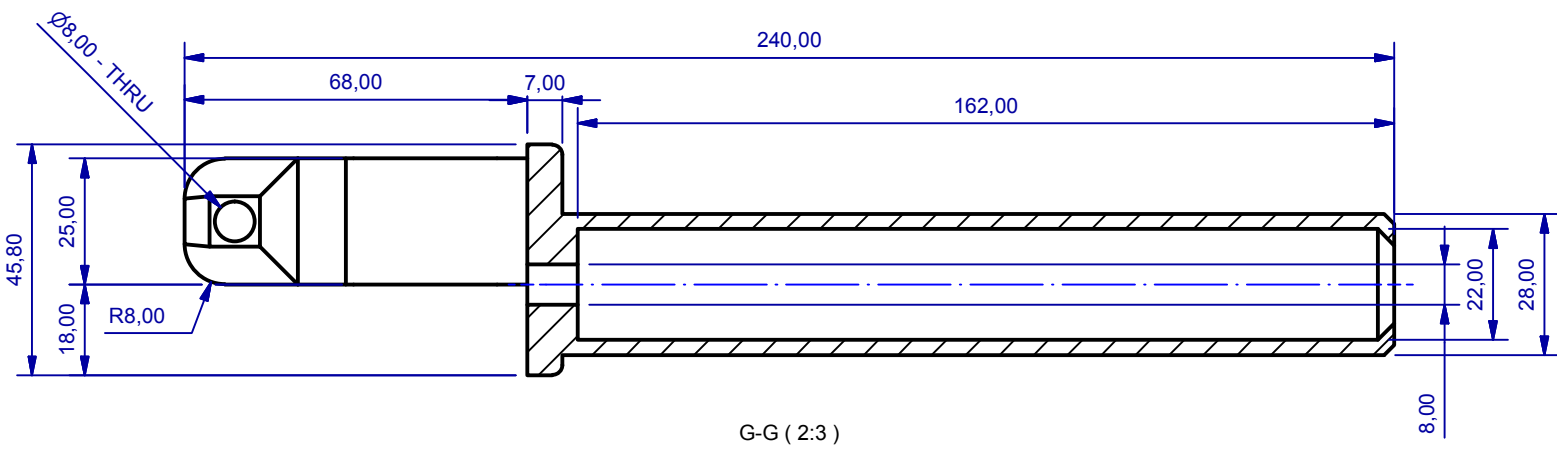
BASE (1 : 4)

DECK
MATERIAL: ALUMINIUM

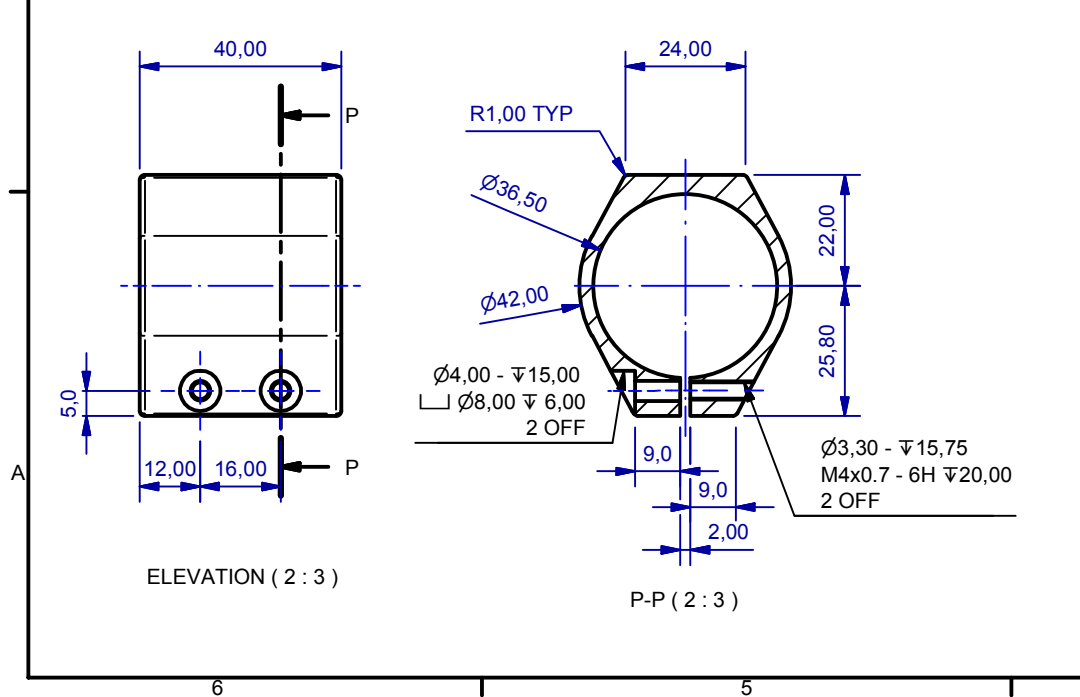
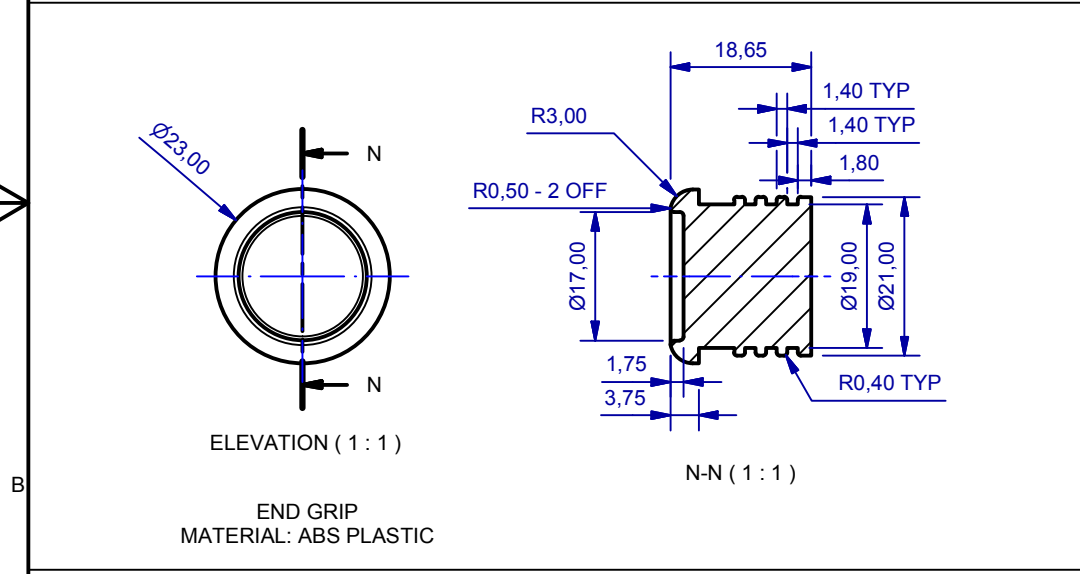
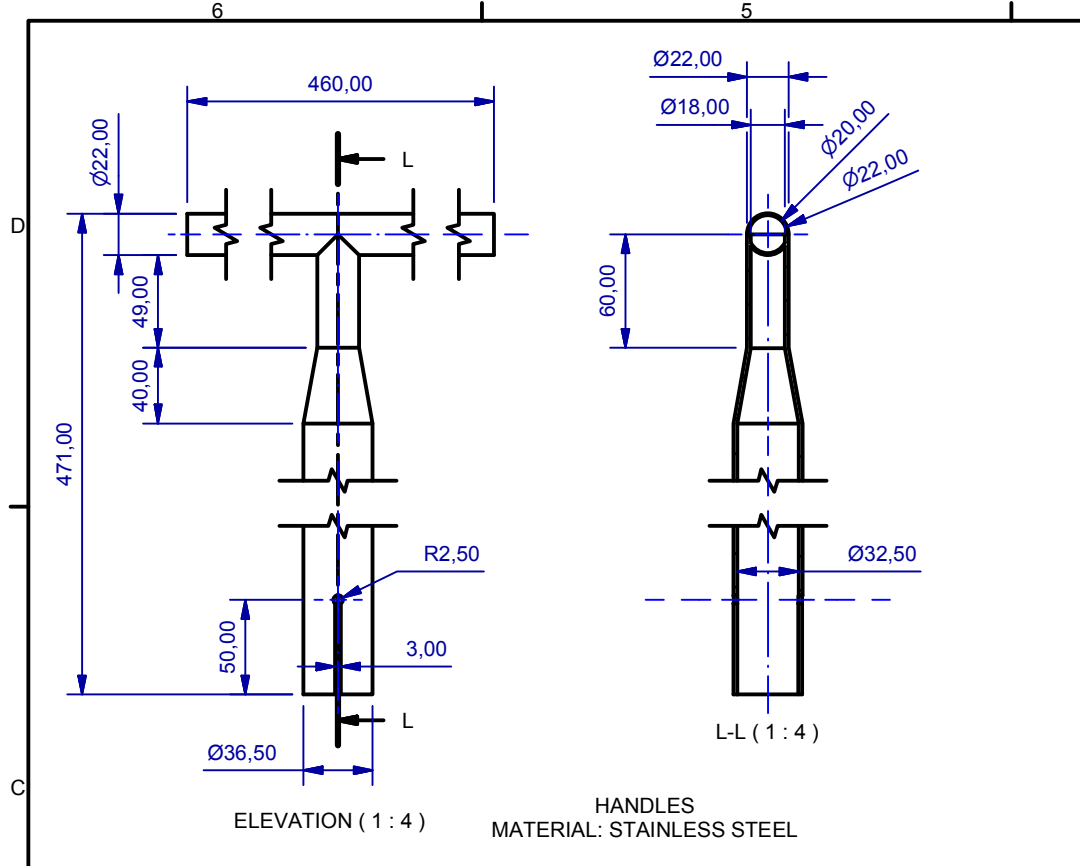
Competitor: Andrew Craig	Date: 10/05/2013	Title: Scooter
Material: Generic	Mass: N/A	
	Sheet Size: A3	Tolerances Unless Otherwise Stated To ISO 2768 mK
	Sheet Number: 1 of 5	Casting Tolerances To ISO 8062
	Scale To ISO 5455:	General Standards Used ISO 128 All Dimensions in mm



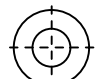
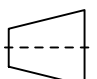
Competitor: Andrew Craig	Date: 10/05/2013	Title: Scooter
Material: Generic	Mass: N/A	
	Sheet Size: A3	Tolerances Unless Otherwise Stated To ISO 2768 mK
	Sheet Number: 2 of 5	Casting Tolerances To ISO 8062
	Scale To ISO 5455:	General Standards Used ISO 128

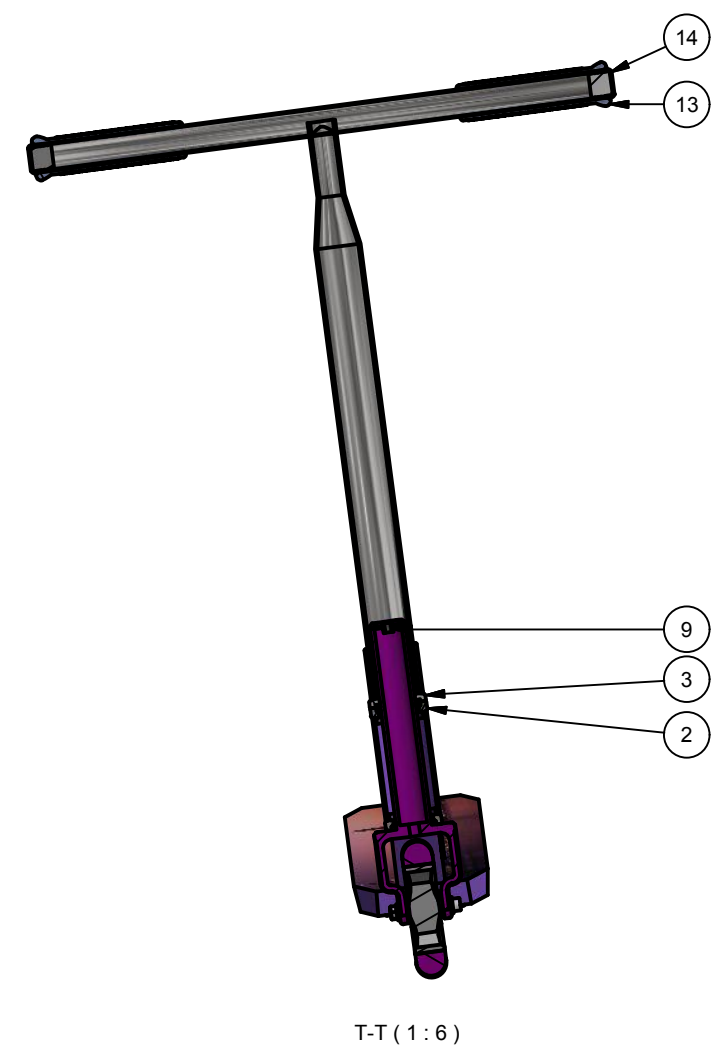
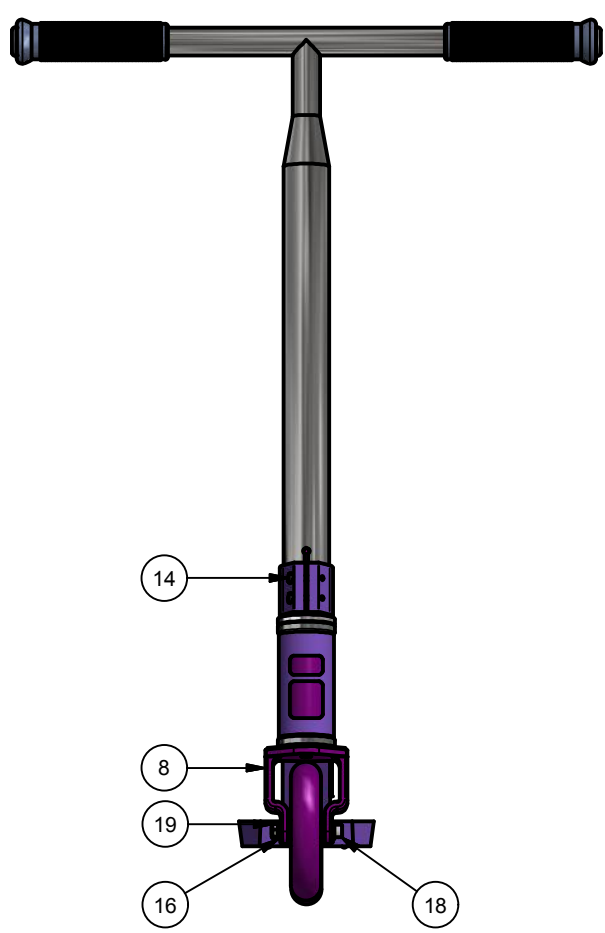
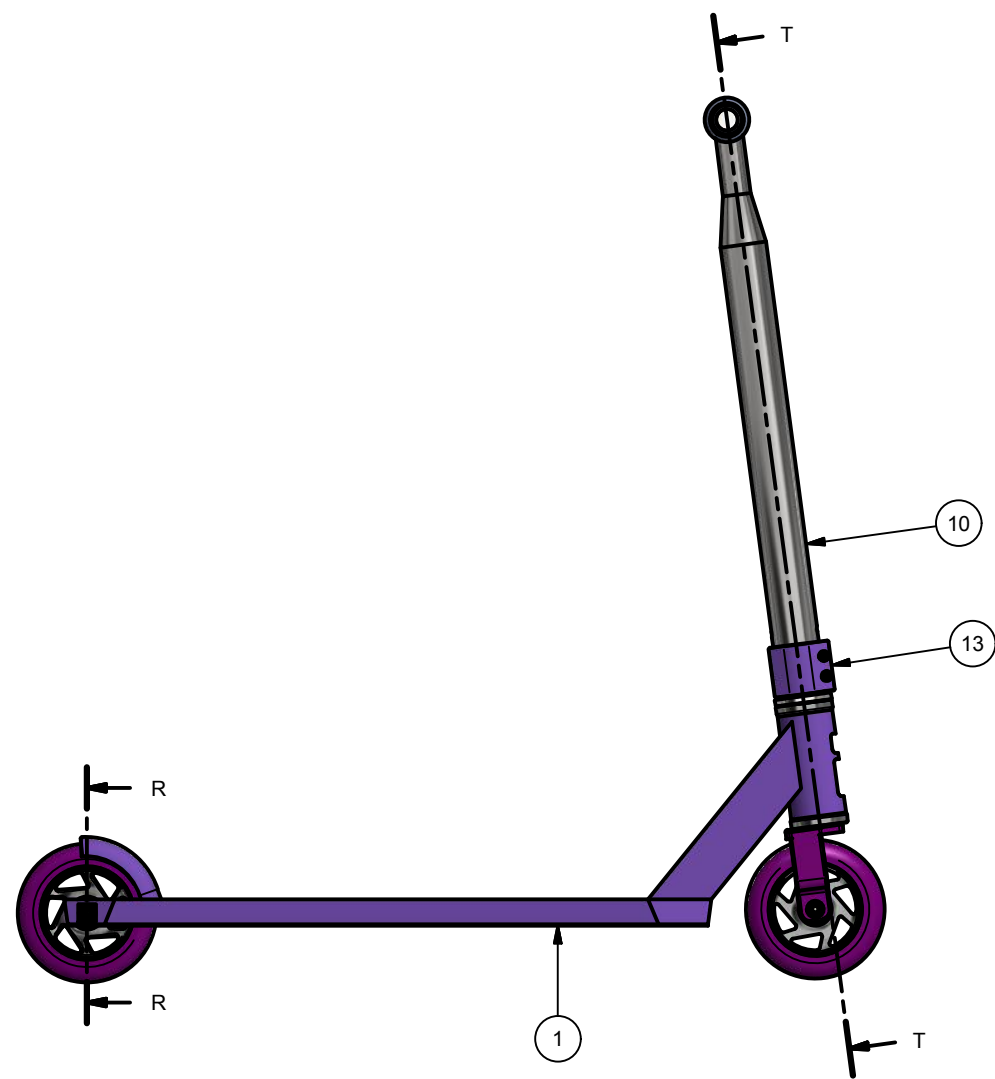
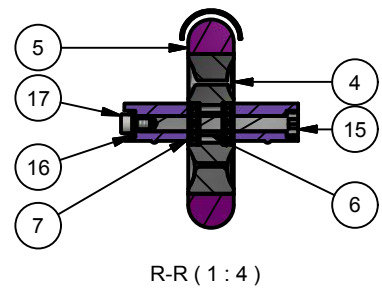
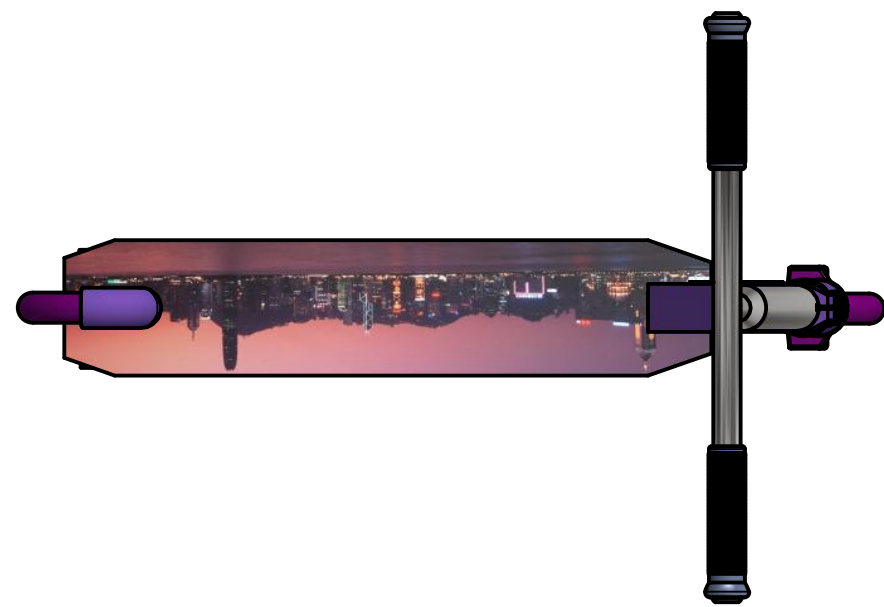


Competitor: Andrew Craig	Date: 10/05/2013	Title: Scooter
Material: Generic	Mass: N/A	
	Sheet Size: A3	Tolerances Unless Otherwise Stated To ISO 2768 mK
	Sheet Number: 3 of 5	Casting Tolerances To ISO 8062
	Scale To ISO 5455:	General Standards Used ISO 128 All Dimensions in mm



ISOMETRIC VIEW (1 : 4)

Competitor: Andrew Craig	Date: 10/05/2013	Title: Scooter
Material: Generic	Mass: N/A	
 	Sheet Size: A3	Tolerances Unless Otherwise Stated To ISO 2768 mK
	Sheet Number: 4 of 5	Casting Tolerances To ISO 8062
	Scale To ISO 5455:	General Standards Used ISO 128



PARTS LIST		
ITEM	QTY	PART NUMBER
1	1	Deck
2	2	Bearing Seat Bot
3	1	Top Cap
4	2	Wheel
5	2	Tyre 1
6	2	Spacer
7	4	ISO 104 - 2 72 - 8 x 22 x 6
8	1	Fork
9	1	Star Nut
10	1	Bars
11	2	Grips
12	2	Bar End
13	1	Clamp
14	2	ISO 4762 - M4 x 20
15	1	Axle - Rear
16	3	ANSI B18.22M - 6 N
17	1	ISO 4762 - M6 x 10
18	1	ISO 4762 - M6 x 50
19	1	ISO 4032 - M6

Competitor: Andrew Craig	Date: 10/05/2013	Title: Scooter
Material:	Mass: N/A	
	Sheet Size: A3	Tolerances Unless Otherwise Stated To ISO 2768 mK
	Sheet Number: 5 of 5	Casting Tolerances To ISO 8062
	Scale To ISO 5455:	General Standards Used ISO 128 All Dimensions in mm